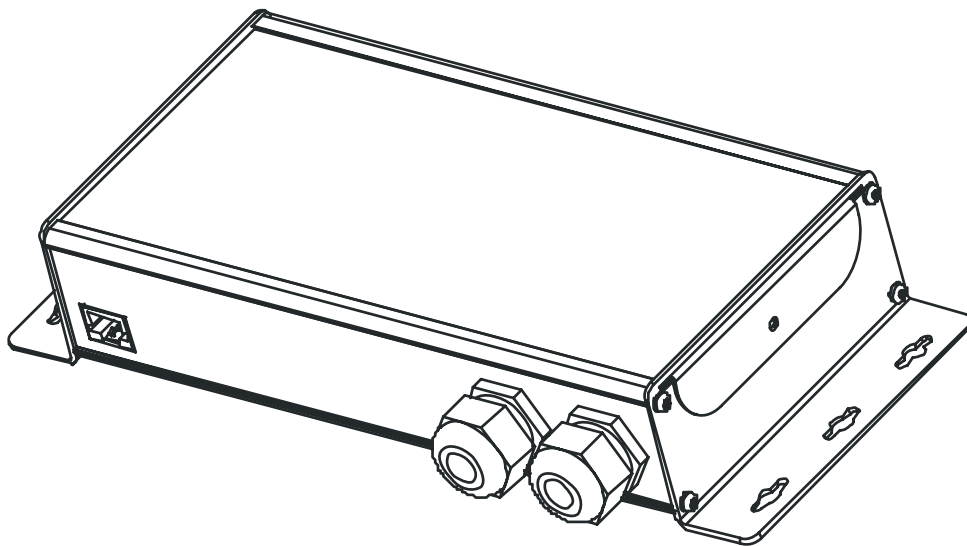


XRC-CT15
External Trigger
Contacts for XRC-150
User Manual





XRC-CT15 External Contacts Trigger for XRC-150
User Manual
Issue 1 (2007-26-02)

Copyright © 2007 SWISSON AG

No part of this documentation may be reproduced or transmitted in any form or by any means, electronic or mechanical, including photocopying and recording, without the prior written permission of SWISSON AG.

The information in this documentation is supplied without warranty of any kind, either directly or indirectly, and is subject to change without prior written notice. SWISSON its employees or appointed representatives will not be held responsible for any damages to software, hardware, or data, arising as a direct or indirect result of the product(s) mentioned herein.

Issued by

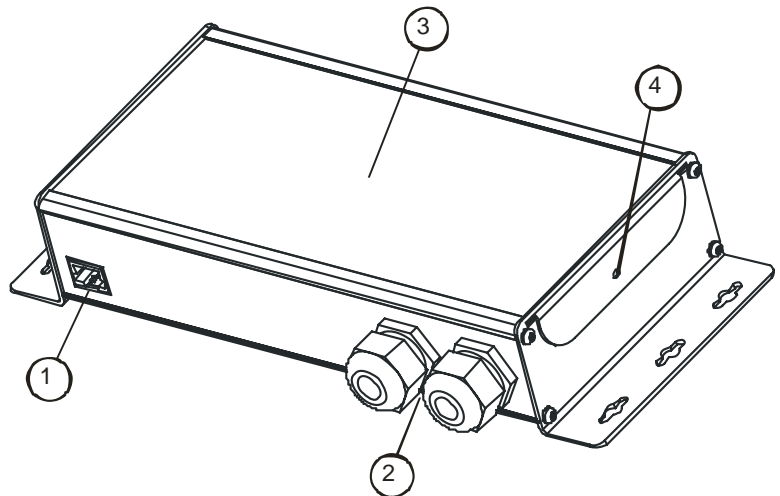
SWISSON AG
Fabrikstrasse 21
CH-3250 Lyss
Switzerland

E-Mail: welcome@swisson.com

Table of contents

Table of contents	3
Overview	4
General Description	5
Connecting the XRC-CT15 to the XRC-150 ..	6
Connection	6
Connecting Cable	7
Opening the XRC-CT15.....	8
Connecting contacts to the XRC-CT15.....	9
Using internal Power	9
Using external Power	9
Configuration	10
Technical Data.....	11
Absolute Maximum ratings	11
Operating Conditions.....	11
Safety notes.....	12

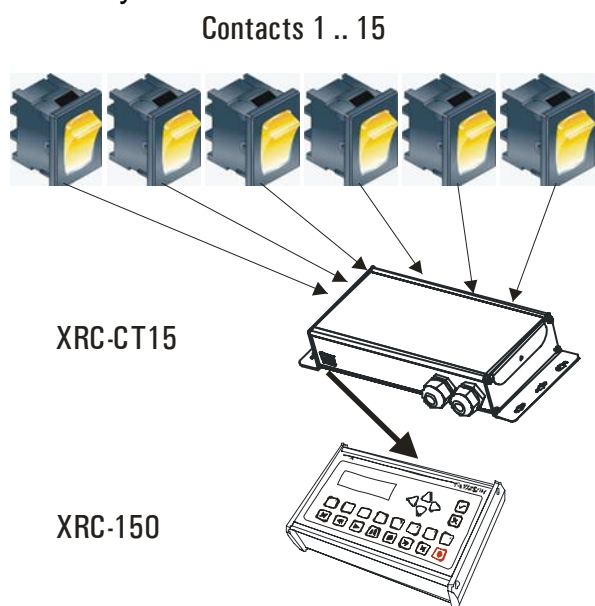
Overview



- 1 **Port Connector**
The XRC-CT15 is connected with the XRC-150 through this port.
- 2 **Cable Glands**
Glands for cables connected in the XRC-CT15
- 3 **Lid**
The lid of the XRC-CT15 can be removed for connection of the contacts
- 4 **Lid Screw**
This screw holds the lid on the XRC-CT15

General Description

The XRC-CT15 is an accessory for use with the XRC-150. On this device up to 15 external trigger contacts can be connected. With these contacts the XRC-150 can be controlled remotely:

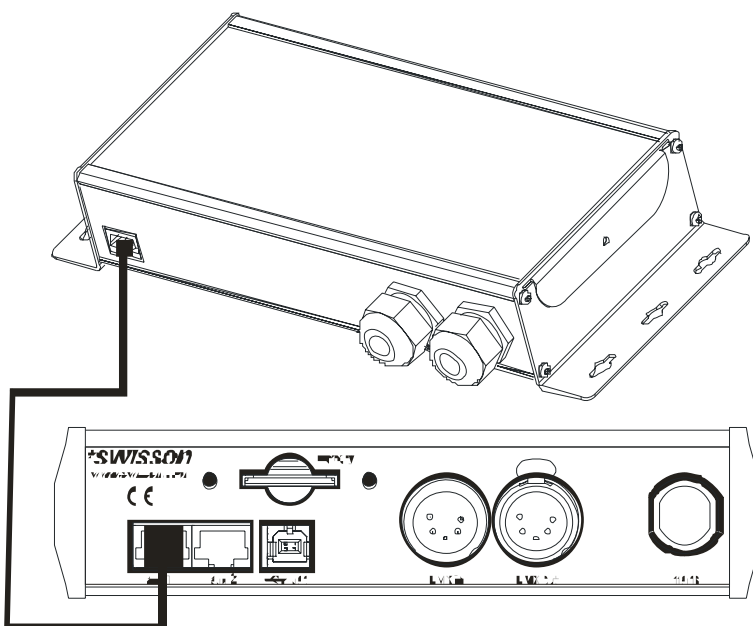


Each button can be configured to start, stop or pause, play back of a sequence on the XRC-150.

Connecting the XRC-CT15 to the XRC-150

Connection

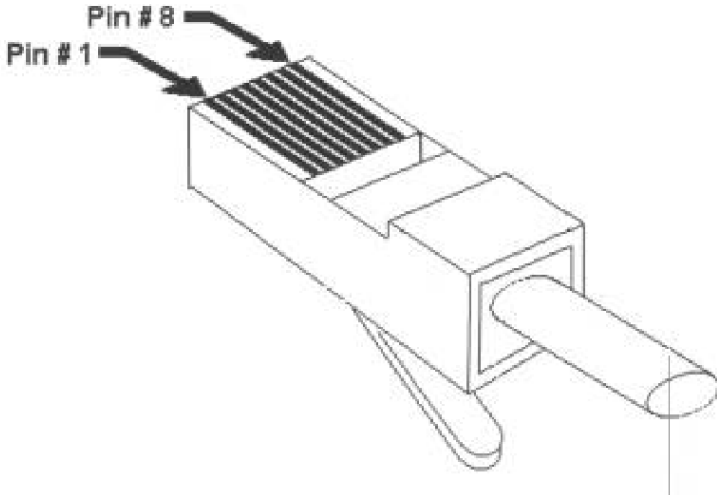
The XRC-CT15 can be easily connected to the XRC-150 through running a cable from an external port of the XRC-150 to the XRC-CT15:



It doesn't matter on which port (port #1 or #2) the XRC-CT15 is connected to the XRC-150.

Connecting Cable

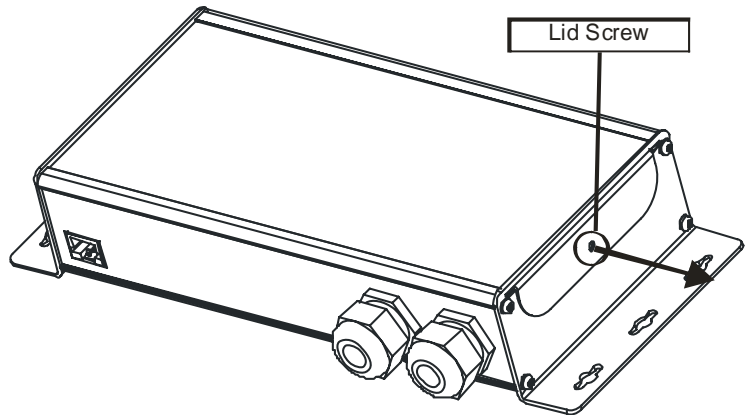
The connection of the XRC-CT15 to the XRC-150 is done with a standard RJ45 8 pole STRAIGHT network cable:



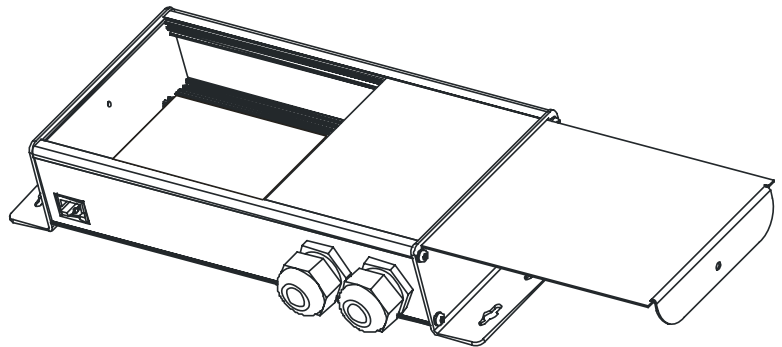
The speed of the data transmission between the XRC-CT15 and the XRC-150 is 250 kBaud. Therefore, the cable mustn't be very high quality.

Opening the XRC-CT15

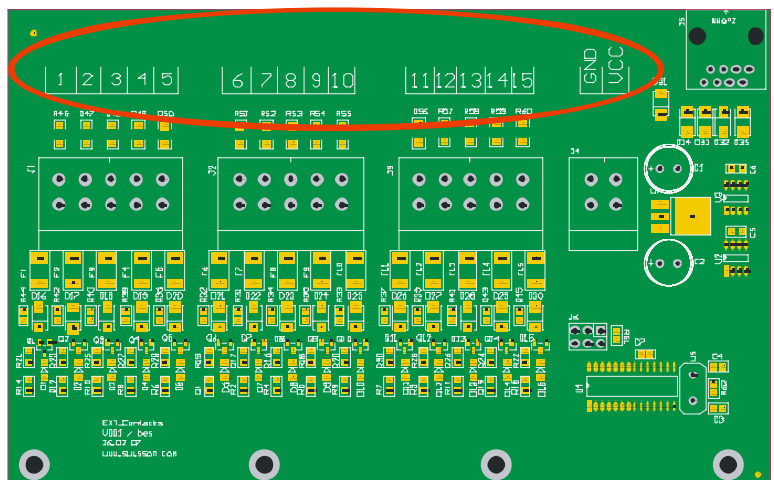
To connect the XRC-CT15 with external trigger contacts, the lid must first be removed. Simply remove the lid screw:



Slide out the lid of the XRC-CT15:



Now you can see the connecting ports (1 – 15) for the external trigger contacts and also two connectors of the internal power (VCC and GND):

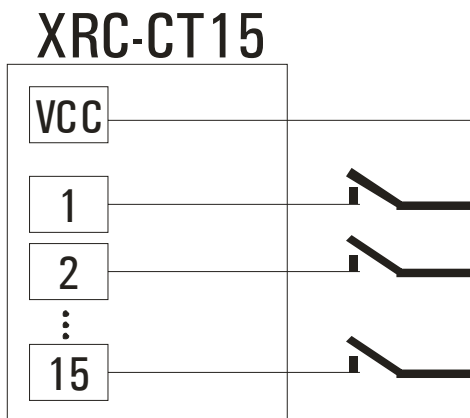


Connecting contacts to the XRC-CT15

Using internal Power

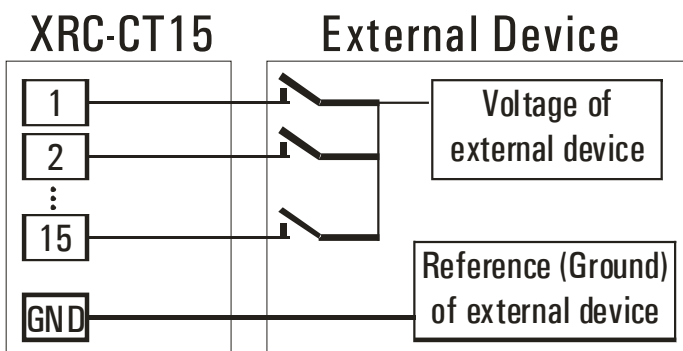
Using the internal power of the XRC-CT-15 is a very simple way to connect external trigger contacts to the device.

Simply connect a switch, button, relay or another contact with one connection to the internal supply voltage (VCC) of the XRC-CT-15, and the other connection to a dedicated input of the device:



Using external Power

When using external power, it's necessary to connect GND of the XRC-CT15 to the voltage reference (ground) on the external device:



ATTENTION:

When using external power, you have to take attention to the maximum ratings!!! (See chapter Absolute Maximum ratings on page 11)

Configuration

Every time a contact is activated, the XRC-CT15 sends this information to the XRC-150.

Therefore it's possible to configure each contact activity on the XRC-150 to either start, stop or pause, a sequence.

To configure the contacts, go to the menu point "External Devices" in the XRC-150 main menu and press the confirm/select button. Now scroll to "Contacts Configuration" and press the confirm/select button again. The following will appear on the display of the XRC-150:



Now you need to choose the contact by activating it. For example if you have connected a switch on contact1, press this switch to configure contact1:



There are three different possible actions:

1. Play Sequence:
This will start playback of one of the 32 different sequences (the sequence can be set)
2. Pause:
This will set the XRC-150 to pause or release the XRC-150 from pause during playback.
3. Stop:
This will stop the XRC-150 during play back or recording.

Technical Data

Absolute Maximum ratings

The maximum ratings of the XRC-CT15 mustn't be exceeded; otherwise the device will be damaged.

Input voltage of contacts (1 – 15) when using external power	17V
VCC current (if you want to power another device)	250mA

Operating Conditions

VCC	7V – 8V
Activation Voltage when using external power	If the voltage of a contact exceeds 2.5V then it's activated. For another activation, the voltage first must fall below 2.0V
Switching characteristic	As soon as a contact is activated, the XRC-CT15 will send a command to the XRC-150. If the contact stays activated, nothing happens. To initiate the command again, the contact first has to be deactivated.
Input Power	No input power needed, power comes over the connecting cable from the XRC-150
Software Requirements	You must have software version 1.10 or higher installed on your XRC-150 if you want to use the XRC-CT15 external triggers
Operating temperature	-0°C to 45°C
Dimensions / weight	267 mm/10.51in x 111mm/4.37in x 45mm/1.77in / 500g/1.10lbs

Safety notes

Consider the following notes absolutely when you set up, connect and use the XRC-CT15:

- Connect the cables only with the proper plugs and sockets.
- Set the cables in an accident-proof fashion. Connected cables mustn't be stressed mechanically too much.
- Keep the device away from sources of electrical interference.
- This device is developed for only use together with the XRC-150 Dynamic DMX Recorder of SWISSON AG and no other devices.
- Clean the XRC-CT15 only with a soft, damp cloth. Don't use chemicals or other harsh scrubbing agents.
- Protect the device against extreme dampness, liquids, dust and dirt.
- Don't use the device in places with excessive direct sunlight or heat.
- Don't use the device in highly combustible areas.