

## 3 kW Single Channel Sine Wave Dimmer

# XSD-S3 (US Version)

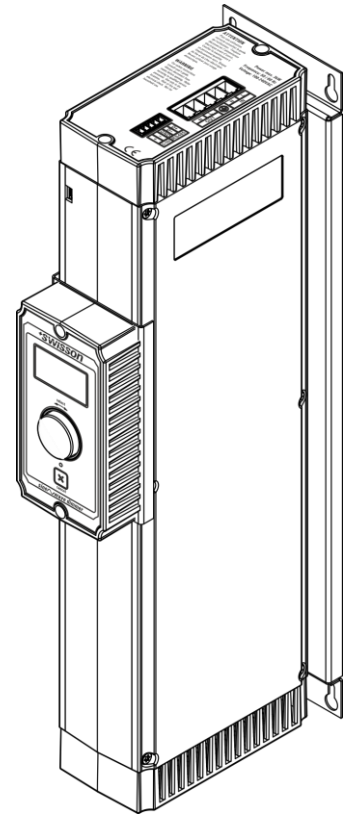
DMX and 0-10V controlled sine wave dimmer with RDM support.

- No electrical disturbance, no interference
- No filament sing
- Handles a wide range of loads
- Regulated output
- High efficiency and quiet operation
- DMX and 0-10V analogue input
- RDM enabled
- Intuitive user interface on a bright OLED display
- Wall mountable
- Terminal connectors for power input, power output, and signal input

XSD-S3 is a portable, fully RDM enabled single channel sine wave dimmer. The Swisson sine wave dimming technology has many advantages over conventional phase control dimming. As the form of the AC sine wave is always preserved, it does not produce any filament sing or electrical disturbances which could affect audio or video equipment. The output voltage and current are electronically regulated, ensuring a stable and safe output to a wide range of different loads. This also enables the dimmer to compensate fluctuations in the mains supply and detect short circuits, all while operating with a very high efficiency.

The XSD-S3 can be controlled over DMX in an 8-bit or 16-bit mode, by 0-10V analogue input, and manually with the encoder knob on the device. DMX and device specific settings, such as dimmer curves or output response time, can be changed over RDM as well as directly on the dimmer, thanks to its bright OLED display. The extensive but intuitive user interface can also display detailed sensor information and offers simplified troubleshooting by issuing notifications in case something goes wrong.

Its form factor and quiet operation make it ideal for any application, be it in theatres, studios or in architectural lighting.



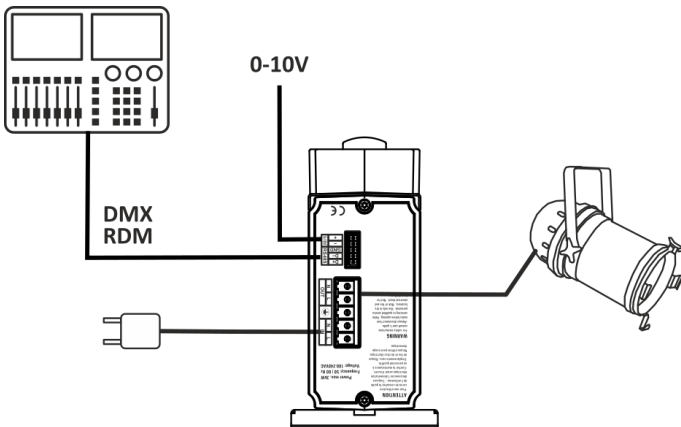
### Fields of Application

- TV studios
- Architectural lighting
- Convention centres
- Churches
- Schools
- Theme parks
- Theatres, operas
- Multimedia shows
- Cruise ships

### Applications

- Prevent disturbance of sensitive electronic equipment caused by dimmers
- Eliminate filament sing for a demanding and focused audience
- Reduce the effect of a fluctuating mains voltage, e.g. when using a generator

## Typical Application



## Models

**XSD-S3-TC-T-US** **10 80 40**

2.4 kW, terminal connectors for power input and dimmer output, terminal connectors for all signal inputs

## Specifications

AC power input.....	100 - 120 V AC
Operation frequency .....	50/60 Hz
Nominal output power .....	2.4 kW
Max output current (RMS) .....	20 A
Electronic fuse .....	Yes, short circuit proof
Min. ambient temperature.....	-10 C / 14°F
Max. ambient temp. ....	50°C / 122°F
Preheat.....	Off or 3 – 20 V
Adjustable maximum voltage .....	50 – 120 V
DMX personalities .....	2 (8-bit / 16-bit)
Dimmer curves .....	4
DMX in / through.....	1 / 1
DMX.....	ANSI E1.11
RDM.....	ANSI E1.20
	ANSI E1.37-1
Weight.....	3.1 kg / 6.8 lb.

