

## Wireless DMX Transmitters and Wireless DMX Receivers

# XWL Series

Compact Solution for Wireless DMX Transmission

- Wireless DMX receiver (XWL-R models)
- Wireless DMX transmitter (XWL-T models)
- Available with CRMX™
- M10/M12-threads for truss mount
- 3/8"-thread for mounting on a microphone stand
- Built-in power supply (powerCON connected)
- Compact, rugged housing

The XWL series encompasses CRMX compatible and compact wireless DMX transmitters and receivers.

Several transmitters can be operated in parallel, each of which is easily linkable to any number of receivers and capable of handling one full universe of 512 DMX channels.

The XWL transmitters and receivers operate in the 2.4 GHz licence-free frequency band. Through the use of the CRMX technology, interference with other devices is avoided.

CRMX from LumenRadio is one of the leading technologies for wireless DMX transmission. With a latency of only about 5 ms, CRMX guarantees a DMX connection with the properties and reliability level equivalent to those of a wired link.

All XWL products are equipped with M10/M12 and 3/8" threads to provide a variety of installation possibilities, such as mounting on a microphone stand.



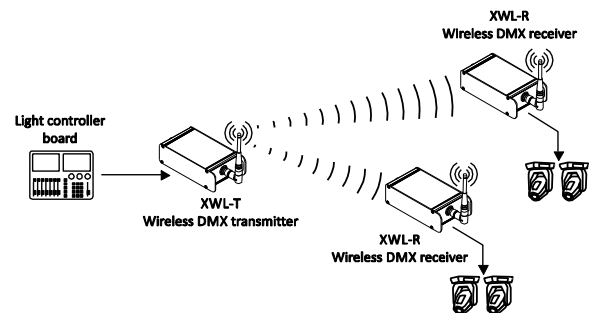
### Fields of Application

- Architectural lighting
- Churches
- Schools
- Convention centers
- Theme parks
- Theaters, operas
- Multimedia shows

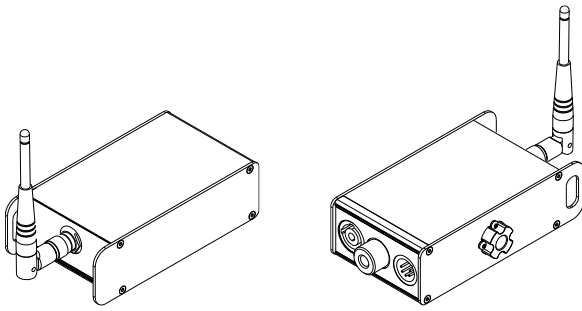
### Applications

- Connecting a light controller to a group of fixtures located away from the stage
- Reducing the number of inconvenient signal cables
- Quick installation, expansion and rearrangement of lighting installations
- Cost-effective construction of a fixed DMX installation in areas where cabling is rather expensive

### Typical Application

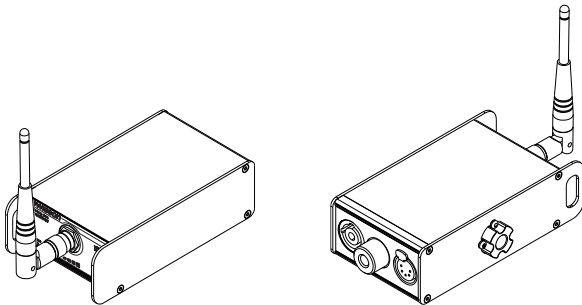


## Transmitter Models



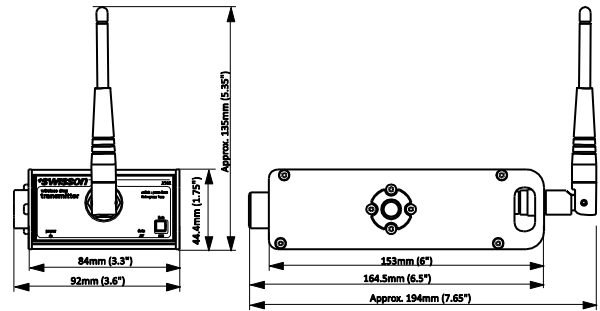
- XWL-T-CRMX-3**    **10 19 30**  
Transmitter, CRMX™, 3-pin XLR.
- XWL-T-CRMX-5**    **10 19 31**  
Transmitter, CRMX™, 5-pin XLR.

## Receiver Models



- XWL-R-CRMX-3**    **10 19 50**  
Receiver, CRMX™, 3-pin XLR.
- XWL-R-CRMX-5**    **10 19 51**  
Receiver, CRMX™, 5-pin XLR.

## Specifications



- Dimensions (in mm) ..... 164.5 x 92 x 44.4
- Dimensions (in inches)..... 6.52 x 3.62 x 1.75
- Weight..... 580 g / 1.18 lbs
- Ambient temperature ..... -17 – 55 °C / 0 – 131°F
- Mains supply ..... 100 – 240 VAC, 50 / 60 Hz
- Typical power consumption ..... 2 W
- Transmission power ..... 100 mW (20dBm)
- Range..... 500 m
- Frequency..... 2.4 GHz
- Modulation..... GFSK
- Typical system latency..... <5 ms
- No. of receivers per transmitter ... unlimited
- No. of transmitters per venue ..... 4 – 6<sup>1</sup>
- DMX..... ANSI E1.11
- Signal port ..... EIA-485
- Threads for truss mounting ..... M10/M12 thread
- Other threads ..... M8 thread for mounting on a microphone stand
- Safety eye ..... Yes

1) In theory, up to 60 transmitters can be operated simultaneously. However, due to the utilization of the 2.4 GHz band by other technologies, it is safe to assume that around 4-6 transmitters can be operated at the same time.

